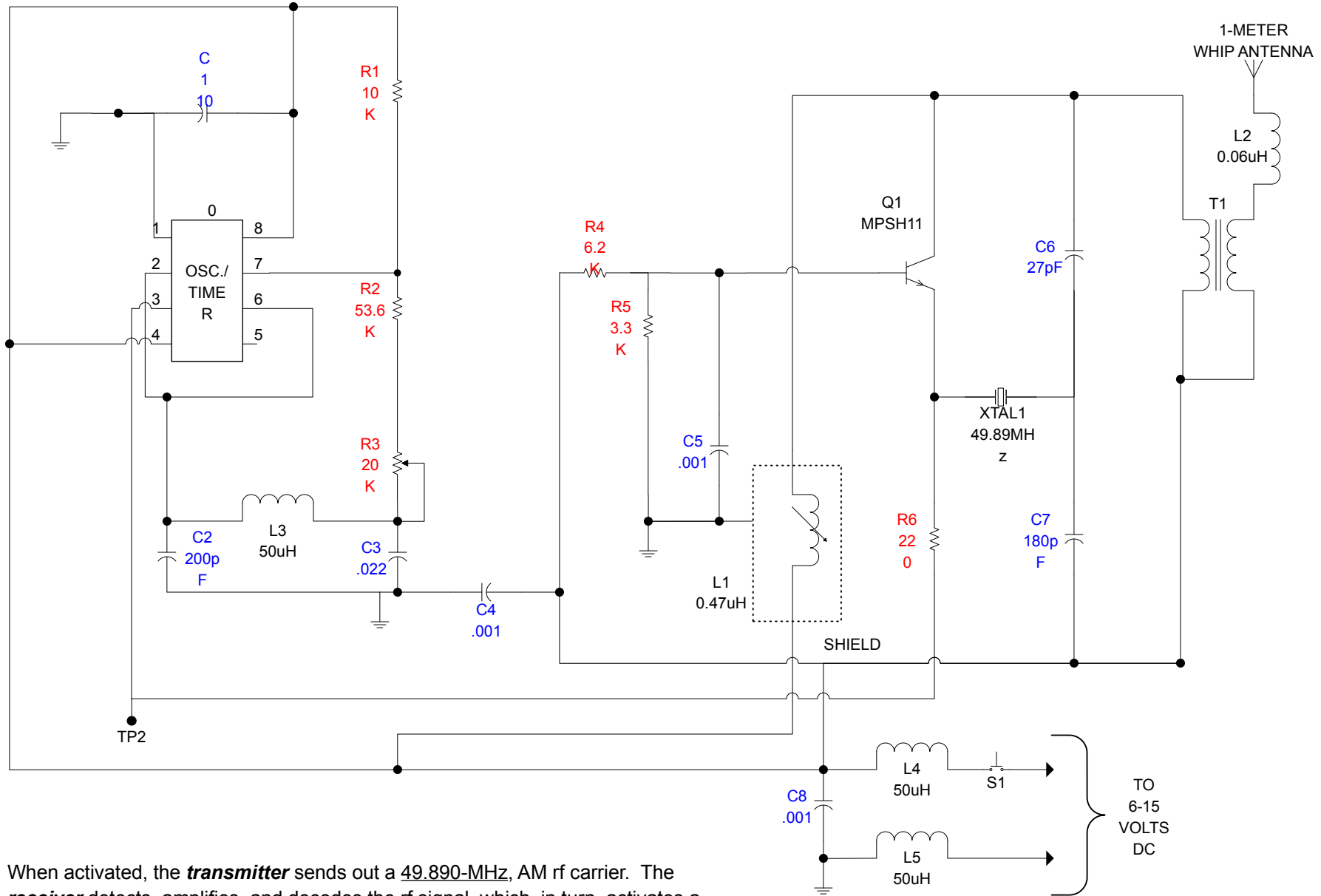


PERSONAL POCKET PAGER



When activated, the **transmitter** sends out a 49.890-MHz, AM rf carrier. The **receiver** detects, amplifies, and decodes the rf signal, which, in turn, activates a piezo buzzer. The receiver is small enough to carry in a pocket or sit on your workbench. The transmitter is also small and fits easily into a pocket for quick access.

SCALE	DRAWN BY Dirk Meyer	REVISED BY MOH
TITLE Personal Pocket Pager	DATE DRAWN 7/15/96	REVISED 7/7/97